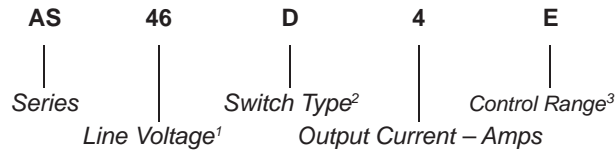


Part Number	Description
AS24D4E/R	4A, 275 Vac
AS46D4E	4A, 460 Vac

Part Number Explanation



NOTES

- 1) Line Voltage (nominal): 46 = 460 Vac
- 2) Switch Type: D = Zero-cross turn-on
- 3) Control Range: E = 4–30 Vdc (5–30 Vdc for AS60D4E)
- 4) RoHS Compliant = /R (AS24D4E/R)

MECHANICAL SPECIFICATION

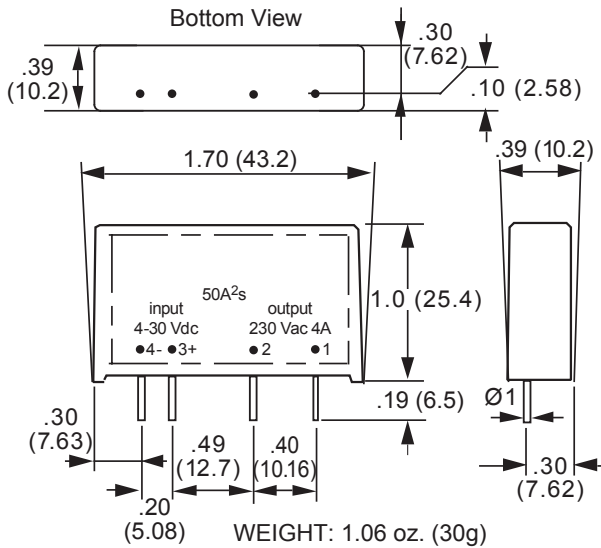


Figure 1 — AS relays; dimensions in inches (mm)

ELECTRICAL SPECIFICATIONS

	Min	Max	Units
Operating Temperature	-40	80	°C
Storage Temperature	-40	120	°C
Input-Output Isolation	4000		Vrms
Input-Output Capacitance		3	pF



FEATURES/BENEFITS

- Industry standard package
- Tight zero-cross window for low EMI
- Low input current draw
- High dv/dt capability
- Integral transient voltage protection
- High immunity to surges

DESCRIPTION

The AS 4-amp solid-state single inline (SIP) four-pin relays are designed for mounting on a printed circuit board. The relays offer built-in voltage protection and can withstand very high current overloads. The Series AS4 relays have a low zero-cross window. The compact size and triac output make the AS relay the perfect retrofit for electromechanical relays.

APPLICATIONS

- Interface applications
- Vending machines
- Light/lamp control
- HVAC controls

APPROVALS

UL File Number: E128555.

BLOCK DIAGRAM

(Control LED available on AS46R4F-02 only.)

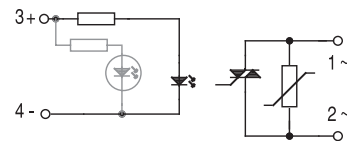


Figure 2a — All AS relays except AS60D4E

INPUT (CONTROL) SPECIFICATIONS

	Min	Max	Units
Control Range			
AS24D4E/R	4	30	Vdc
AS46D4E	4	30	Vdc
Input Current Range			
AS24D4E/R	3	30	mA
AS46D4E	3	30	mA
Must Turn-Off Voltage			
AS24D4E/R		0.8	Vdc
AS46D4E		0.8	Vdc
Input Resistance (Typical)			
AS24D4E/R		1,000	Ohms
AS46D4E		1,000	Ohms

OUTPUT (LOAD) SPECIFICATIONS

	Min	Max	Units
Operating Range			
AS24D4E/R	12	275	Vrms
AS46D4E	12	460	Vrms
Peak Voltage (Clamping Voltage)			
AS24D4E/R		600(450)	Vpeak
AS46D4E		900(720)	Vpeak
Load Current Range			
	.005	4	Arms
Maximum Surge Current Rating (Non-Repetitive) (See Figure 5a and Figure 5b)			
AS24D4E/R		100	Apeak
AS46D4E		100	Apeak
On-State Voltage Drop			
		1.6	V
Zero-Cross Window (Typical)			
AS24D4E/R		±12	V
AS46D4E		±12	V
Off-State Leakage Current (60Hz)			
AS24D4E/R		0.3	mArms
AS46D4E		0.3	mArms
Turn-On Time (60Hz)			
AS24D4E/R		8.3	ms
AS46D4E		8.3	ms
Turn-Off Time (60Hz)			
		8.3	ms
Off-State dv/dt			
	500		V/μs
Operating Frequency			
	10	440	Hz
I²T for Match Fusing (<8.3ms)			
AS24D4E/R		50	A ² S
AS46D4E		50	A ² S

TYPICAL APPLICATION

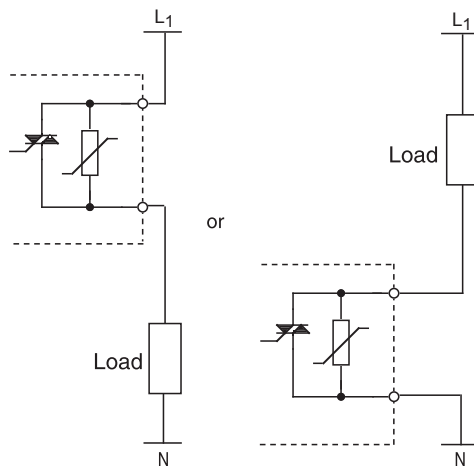


Figure 3a

LOAD CURRENT DERATING CURVE

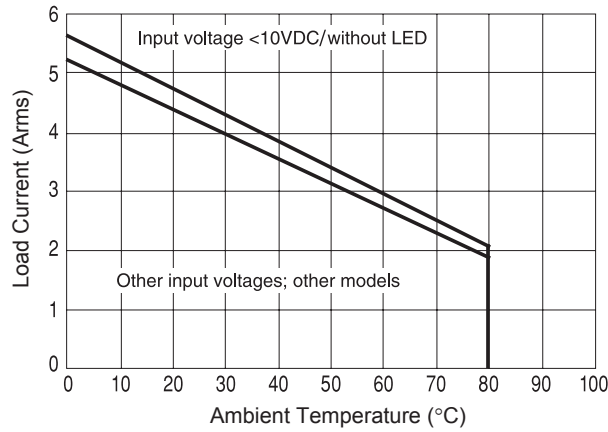


Figure 4 — Thermal curves

SURGE CURRENT RATING

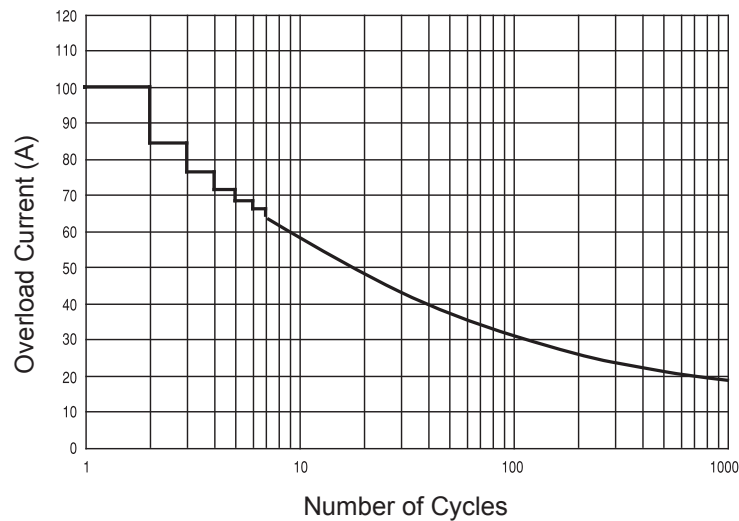


Figure 5a — Non-repetitive surge current

NOTES:

1. Electrical specifications at 25°C unless otherwise specified.
2. For 800Hz applications, contact factory.
3. For additional/custom options, contact factory.